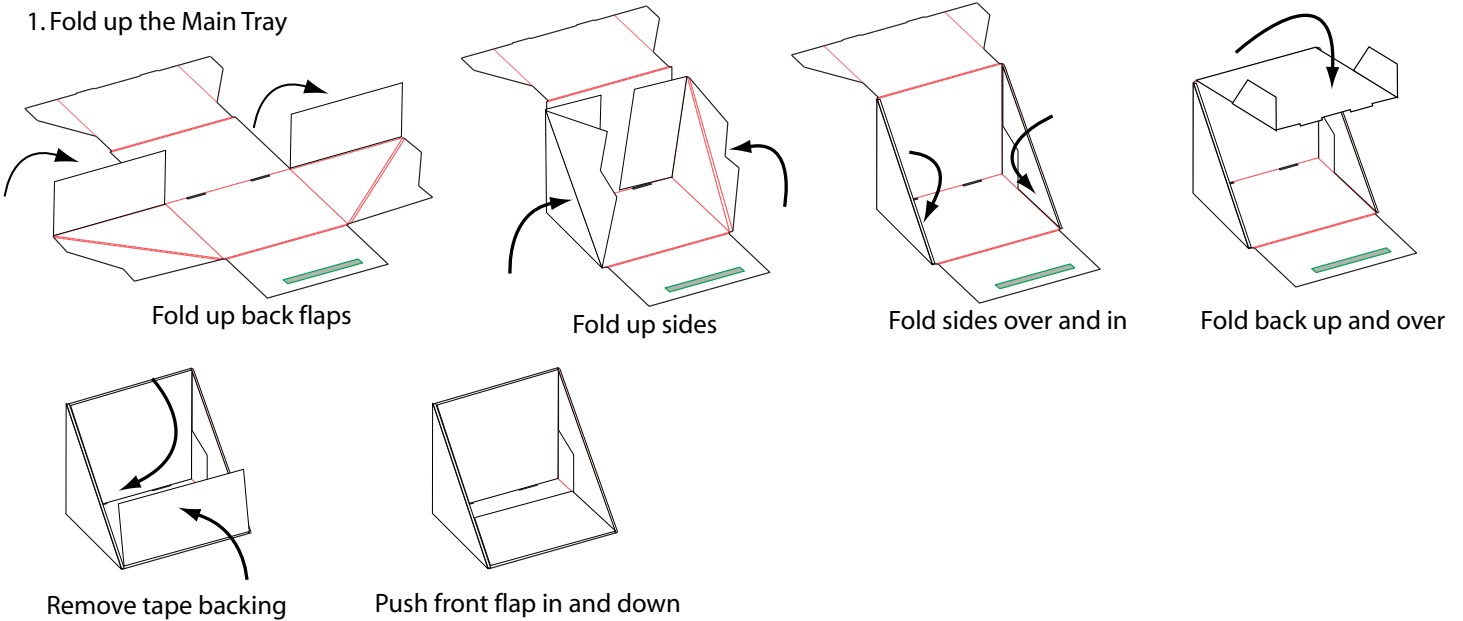
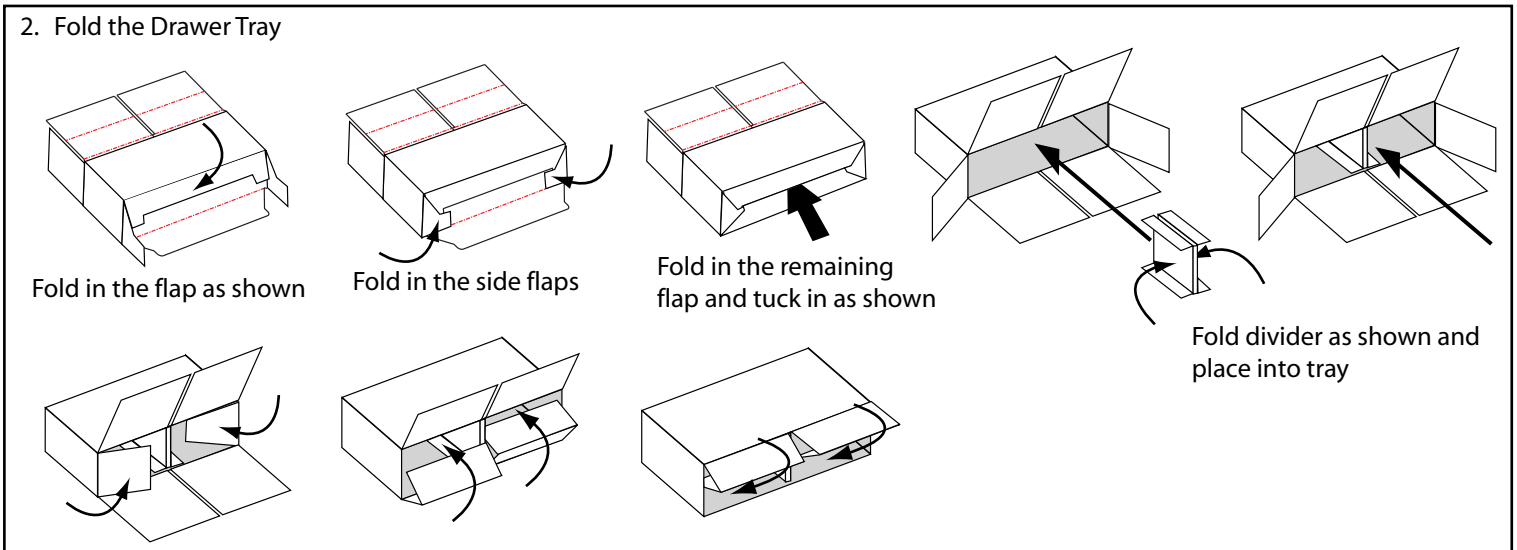


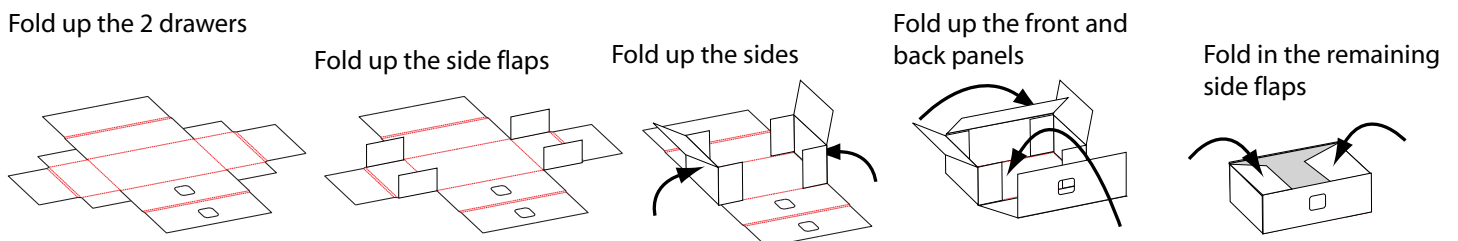
1. Fold up the Main Tray



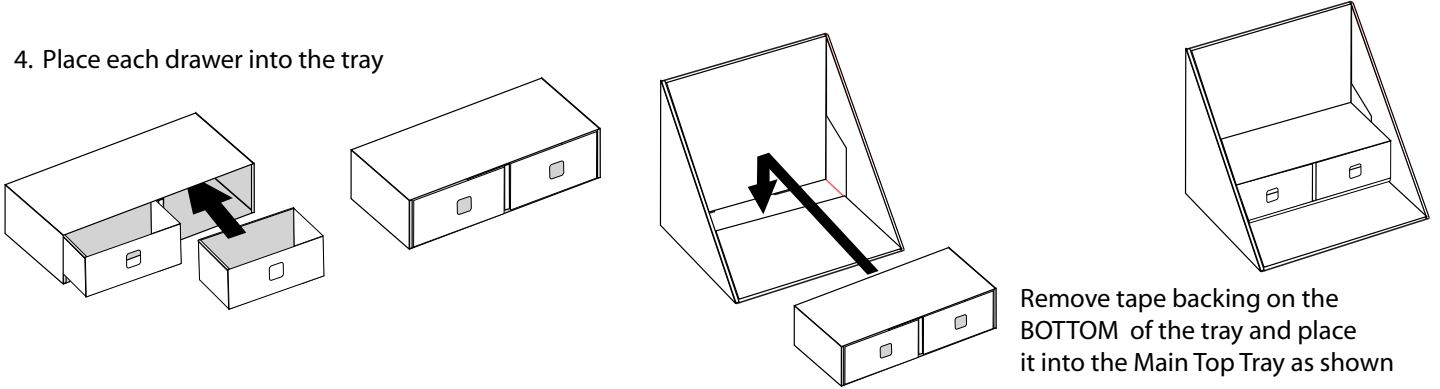
2. Fold the Drawer Tray



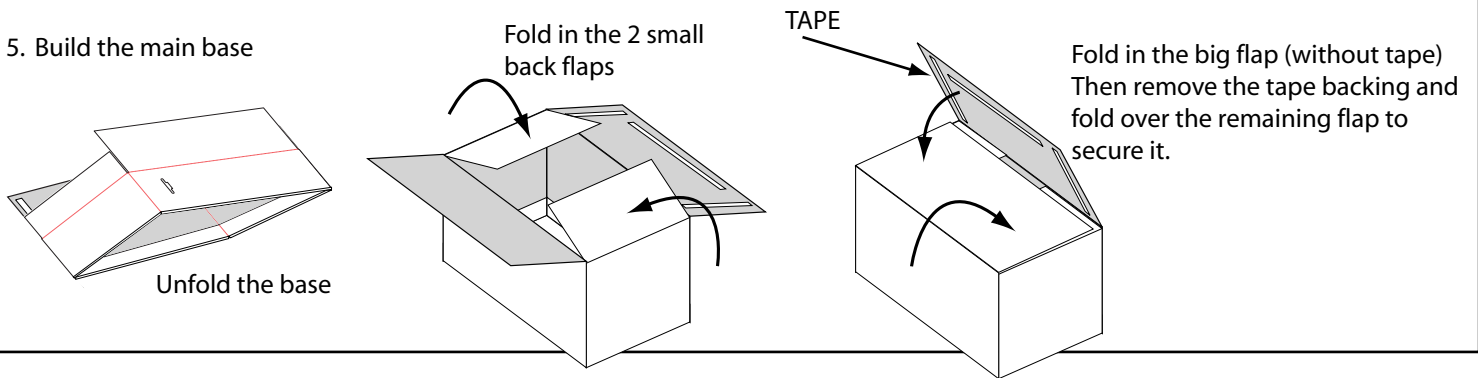
3. Fold up the 2 drawers



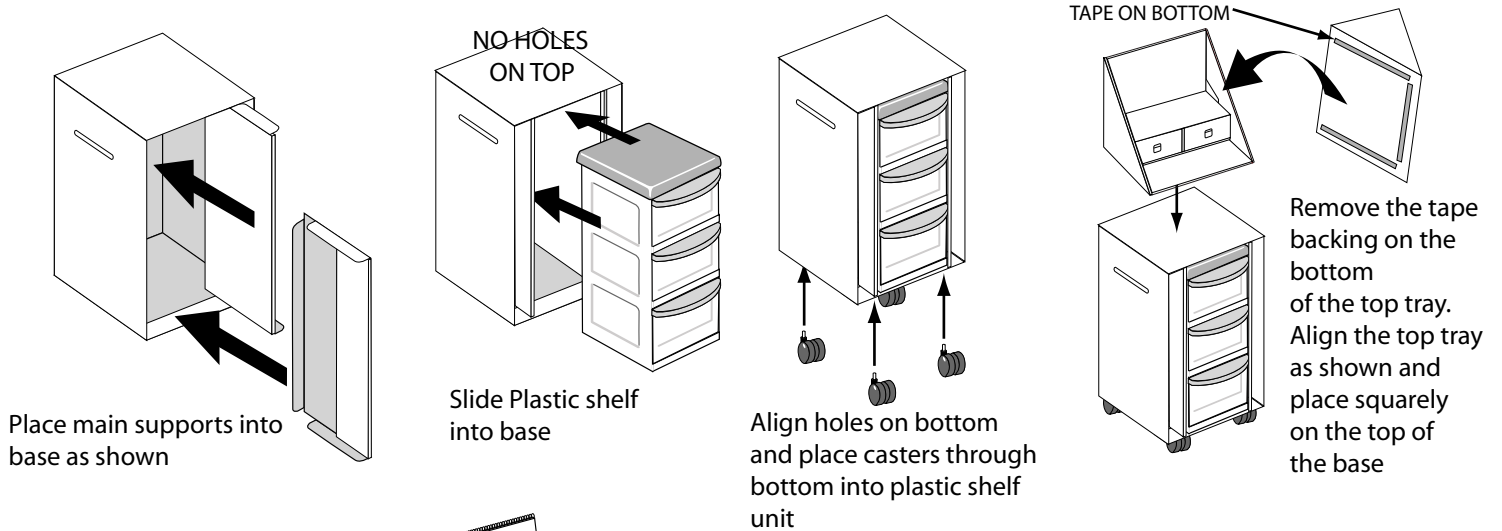
4. Place each drawer into the tray



5. Build the main base



6. Place Plastic shelves in base.



7. Set up Activity Center

